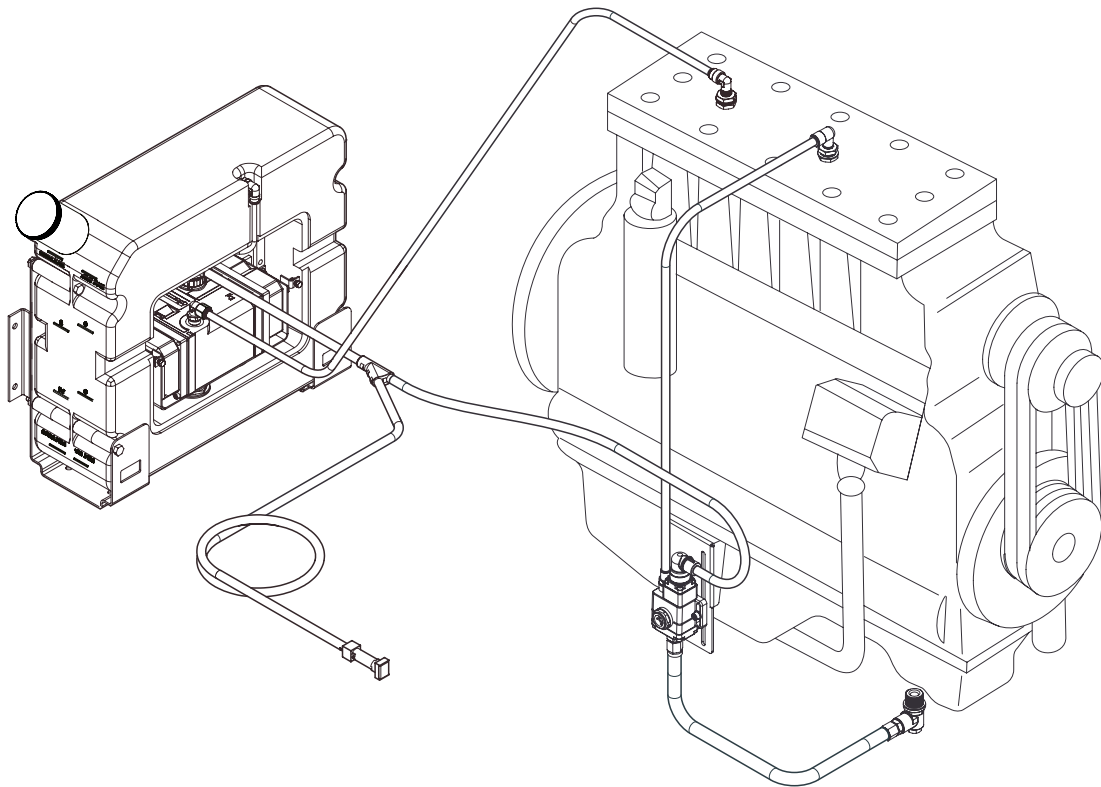


Parts Manual



Oilmaster

F214465R03



YOUR EFFICIENCY IS OUR CHALLENGE

All rights reserved. No part of this manual may be copied and/or published by means of printing, photocopying, microfilm or by any other means without prior written permission from Groeneveld. This applies also to the drawings and diagrams appended.

Groeneveld reserves the right to change parts at any time, without prior or direct notice to the customer. The contents of this manual may also be changed without prior notice.

This manual applies to the standard version of the product. Groeneveld cannot accept liability for any damage arising from the use of specifications other than that supplied.

You are requested to contact Groeneveld technical service for information concerning adjustment, maintenance work or repairs that is not described in this manual.

Whilst this manual has been prepared with the greatest possible care Groeneveld cannot accept responsibility for any errors of the consequences of such errors.

TABLE OF CONTENTS

1. OILMASTER 5

1.1 Oilmaster1 and Oilmaster2 4 litre compact 7

1.2 Oilmaster1 and Oilmaster2 6 litre 9

1.3 Oilmaster1 and Oilmaster2 12 litre 11

1.4 Oilmaster1 and Oilmaster2 15 litre Heavy duty 13

2. PUMP UNITS 15

2.1 Oilmaster1 pump unit 17

2.2 Oilmaster2 pump unit 19

3. SPARE PARTS 21

3.1 Oilmaster1 / Oilmaster2 connection parts 23

3.2 Oilmaster1 / Oilmaster2 electrical parts 25

3.3 Oilmaster1 / Oilmaster2 optional parts 27

3.4 Oilmaster1 / Oilmaster2 sump plugs 29

3.5 Oilmaster1 / Oilmaster2 brackets 31

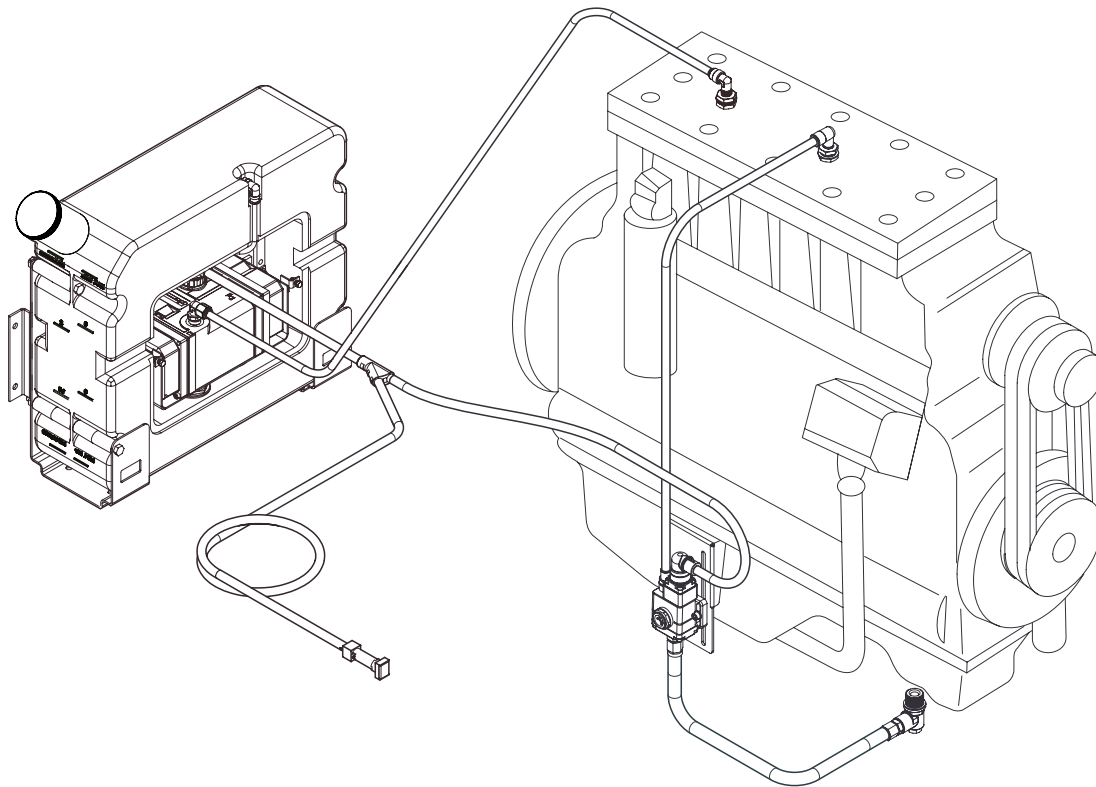
4. DIAGNOSTIC TOOLS 33

4.1 Oilmaster1 / Oilmaster2 Unigina diagnosis kit 35

5. COMPLETE KITS 37

5.1 Oilmaster2 complete kits 39

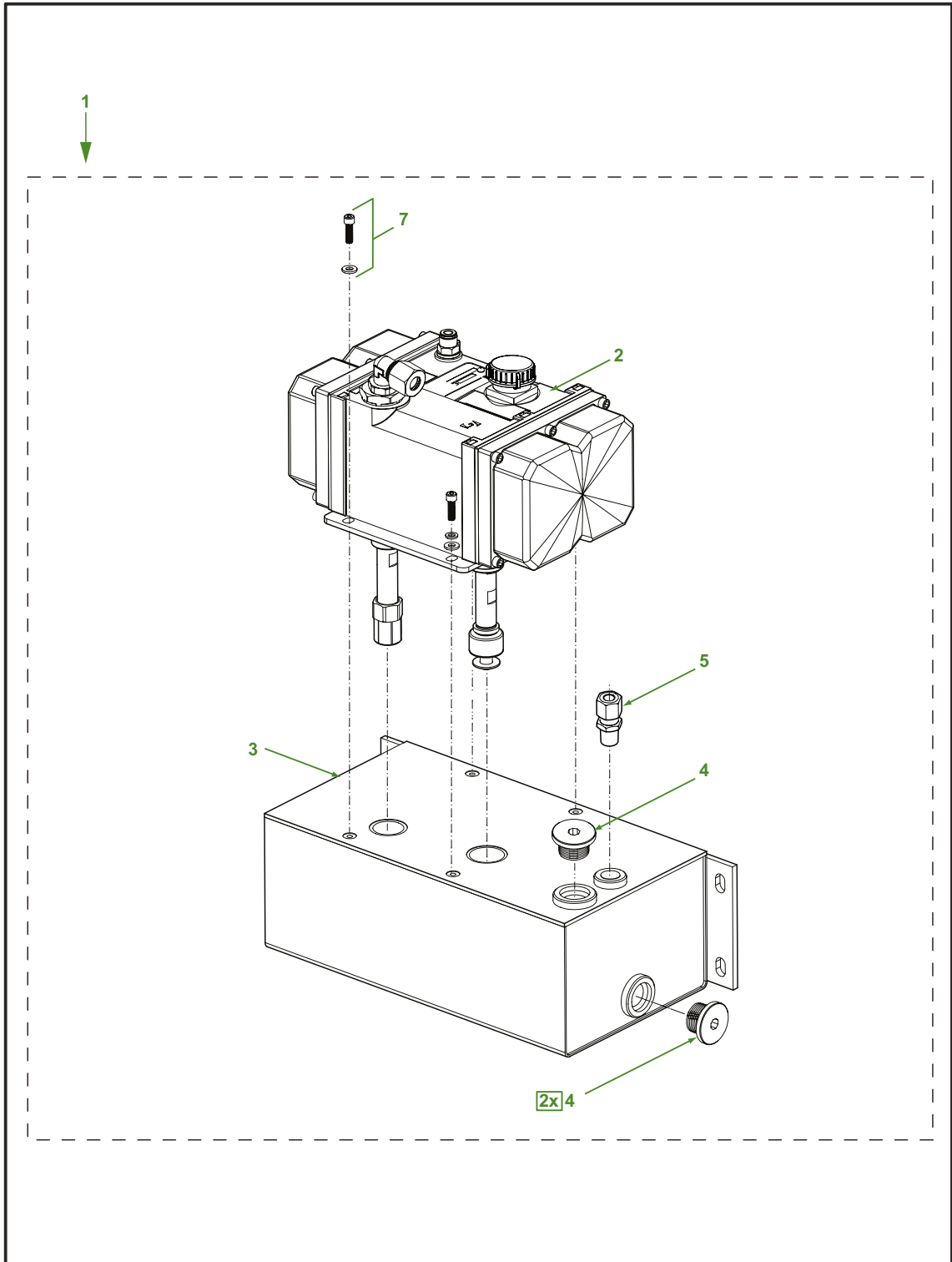
1. OILMASTER



Release date: August 2015



YOUR EFFICIENCY IS OUR CHALLENGE



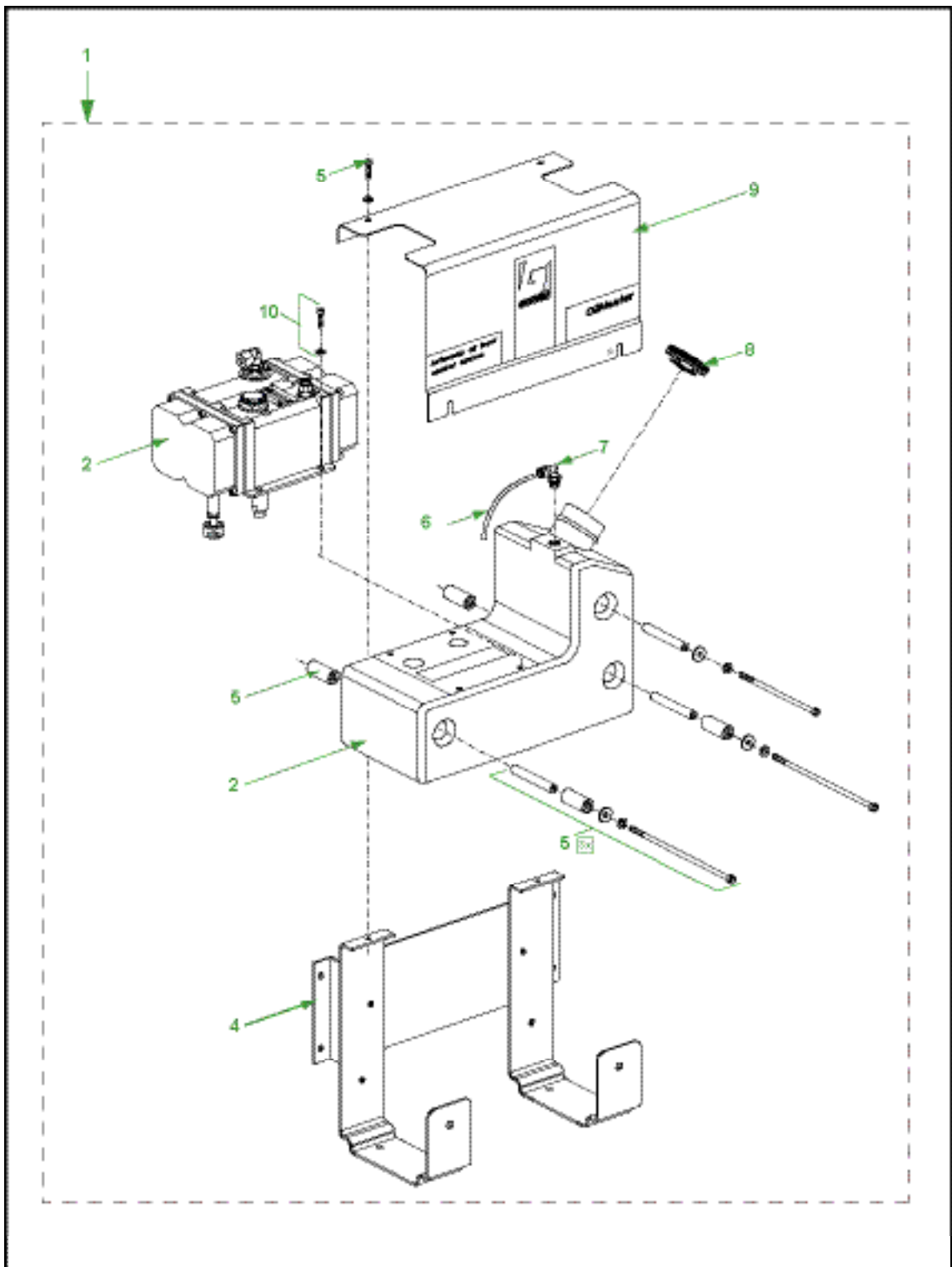
Release date: August 2015

1.1 Oilmaster1 and Oilmaster2 4 litre compact

| <i>Pos</i> | <i>Part nr.</i> | <i>Supply voltage</i> | <i>Capacity reservoir</i> | <i>Setting</i> |
|------------|-----------------|-----------------------|---------------------------|----------------|
| 1 | F131870 | 12Vdc | 4 Liters | 1H |
| - | F131871 | 24Vdc | 4 Liters | 1H |
| - | F173407 | 12Vdc | 4 Liters | 3H |
| - | F173461 | 24Vdc | 4 Liters | 3H |

| <i>Pos</i> | <i>Part nr.</i> | <i>Description</i> |
|------------|-----------------|--|
| 2 | Oilmaster1 | Pump unit (see page 15 for the details) |
| - | F131862 | Pump unit 12Vdc 1H (see page 17 for the details) |
| - | F173087 | Pump unit 24Vdc 1H (see page 17 for the details) |
| - | F116910 | Pump unit 12Vdc 3H (see page 17 for the details) |
| - | F116909 | Pump unit 24Vdc 3H (see page 17 for the details) |
| 4 | F173398 | Oilmaster tank 4L (steel) |
| 5 | F172837 | Drain plug M22x1.5 |
| 6 | F119800 | Straight coupling ø10-14" PTFE |
| 7 | F117238 | Unit screw kit |

Release date: August 2015



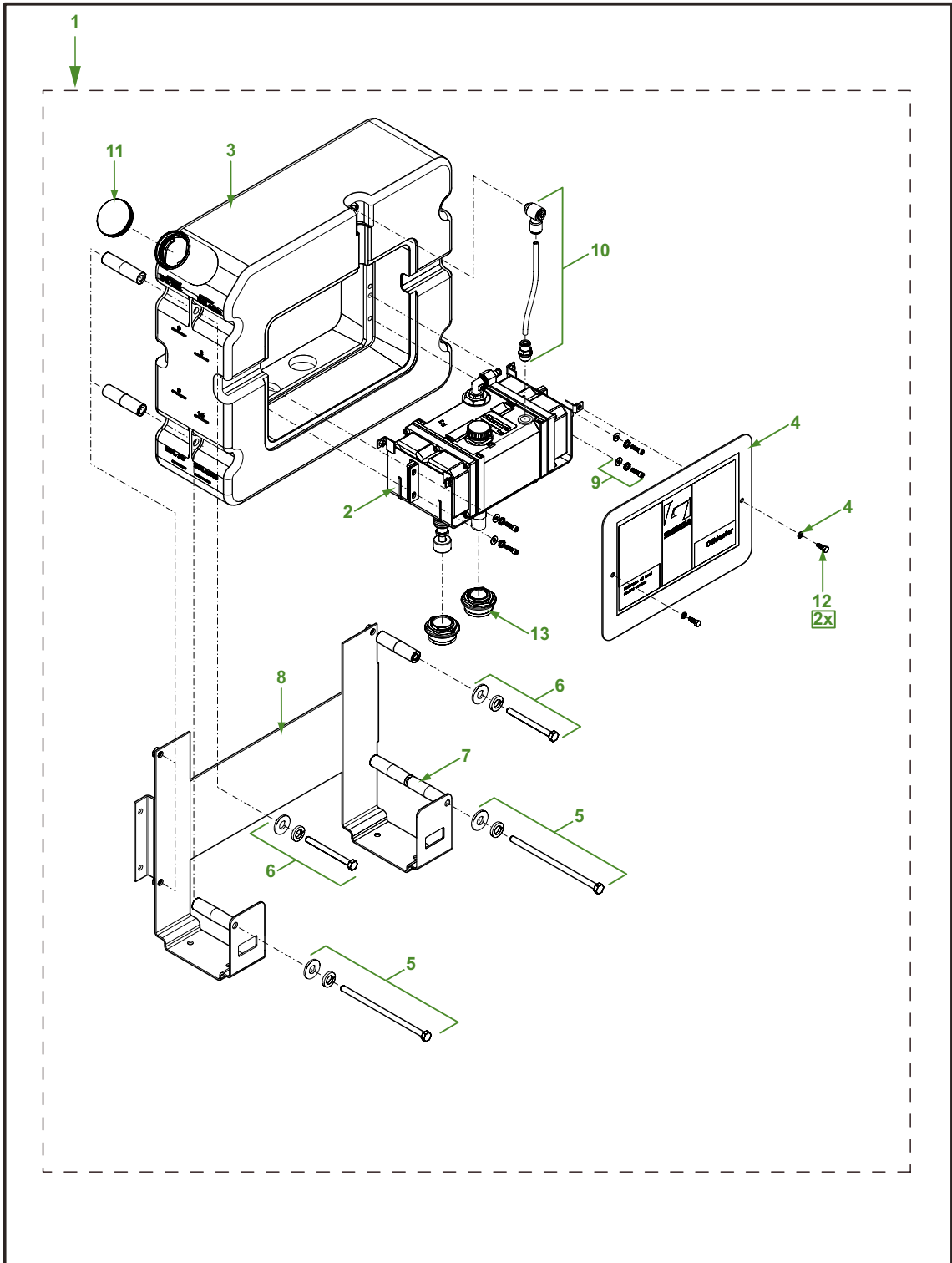
Release date: August 2015

1.2 Oilmaster1 and Oilmaster2 6 litre

| <i>Pos</i> | <i>Part nr.</i> | <i>Supply voltage</i> | <i>Capacity reservoir</i> | <i>Setting</i> |
|------------|-----------------|-----------------------|---------------------------|----------------|
| 1 | F125858 | 12Vdc | 6 Liters | 1H |
| - | F118030 | 24Vdc | 6 Liters | 1H |
| - | F114695 | 12Vdc | 6 Liters | 3H |
| - | F113655 | 24Vdc | 6 Liters | 3H |

| <i>Pos</i> | <i>Part nr.</i> | <i>Description</i> |
|------------|-----------------|--|
| 2 | Oilmaster1 | Pump unit (see page 15 for the details) |
| - | F131862 | Pump unit 12V 1H (see page 17 for the details) |
| - | F173087 | Pump unit 24V 1H (see page 17 for the details) |
| - | F116910 | Pump unit 12V 3H (see page 17 for the details) |
| - | F116909 | Pump unit 24V 3H (see page 17 for the details) |
| 3 | F117052 | Oilmaster tank 6L (nylon) |
| 4 | F118179 | Standard bracket |
| 5 | F121835 | Oilmaster screws bracket kit 6L |
| 6 | F115137 | Tube PA11 ø6x120 PA11 |
| 7 | F116726 | Elbow coupling G1/4" - 6mm |
| 8 | F126879 | Filler cap without lock |
| - | F113843 | Filler cap with lock |
| - | F127840 | Filler cap with lock / masterkey |
| 9 | F114555 | Oilmaster cover kit 6L |
| 10 | F117238 | Screw unit kit |

Release date: August 2015



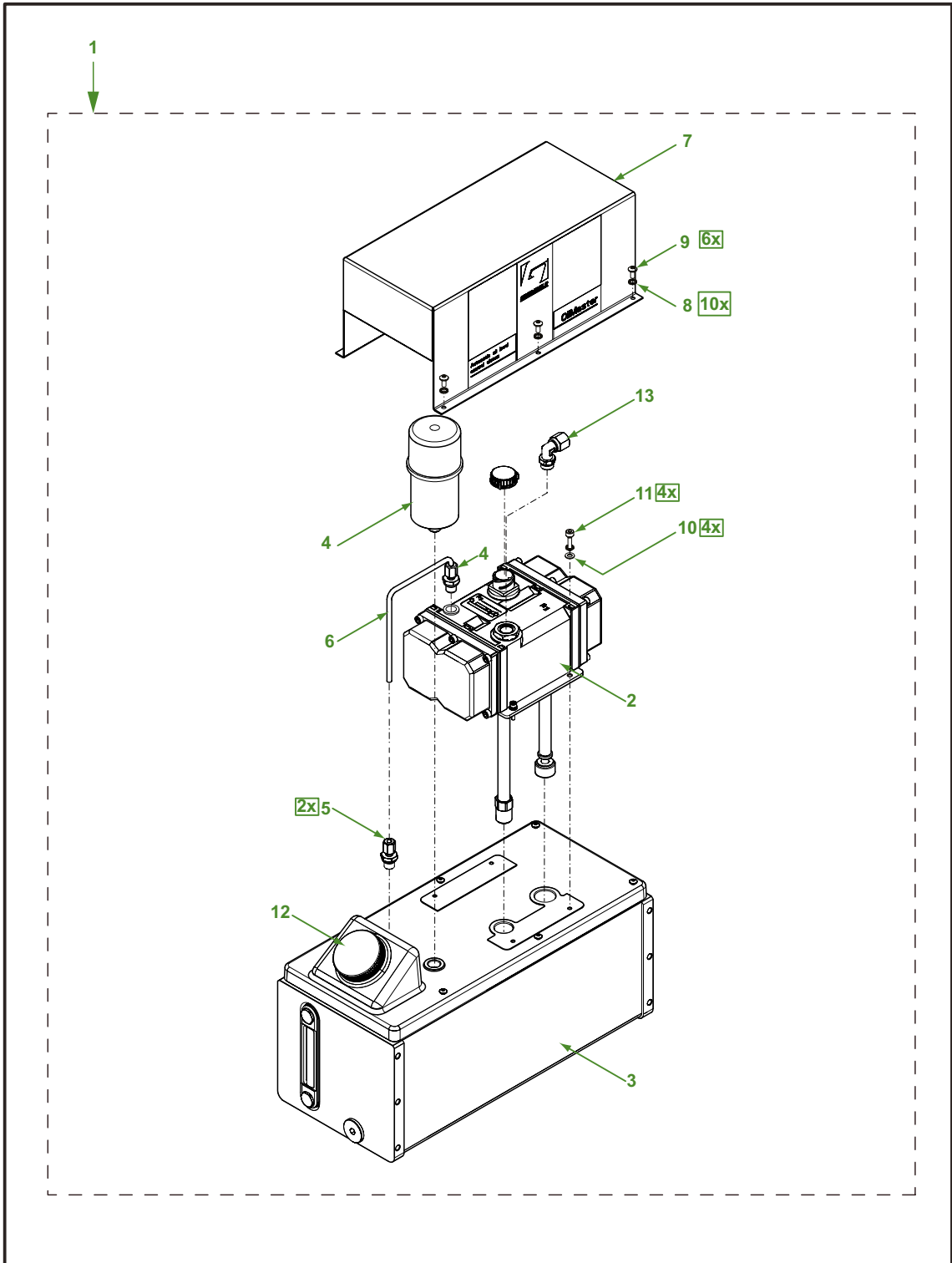
Release date: August 2015

1.3 Oilmaster1 and Oilmaster2 12 litre

| <i>Pos</i> | <i>Part nr.</i> | <i>Supply voltage</i> | <i>Capacity reservoir</i> | <i>Setting</i> |
|------------|-----------------|-----------------------|---------------------------|----------------|
| 1 | F131876 | 12Vdc | 12 Liters | 1H |
| | F173081 | 24Vdc | 12 Liters | 1H |
| | F116771 | 12Vdc | 12 Liters | 3H |
| | F117258 | 24Vdc | 12 Liters | 3H |

| <i>Pos</i> | <i>Part nr.</i> | <i>Description</i> |
|------------|-----------------|---|
| 2 | Oilmaster1 | Pump unit (see page 15 for the details) |
| - | F131864 | Pump unit 12V 1H (see page 17 for the details) |
| - | F173086 | Pump unit 24V 1H (see page 17 for the details)s |
| - | F116872 | Pump unit 12V 3H (see page 17 for the details) |
| - | F116871 | Pump unit 24V 3H (see page 17 for the details) |
| 3 | F126754 | Oilmaster tank 12L (polyethylene) |
| 4 | F126755 | Oilmaster cover kit |
| 5 | F113149 | Allan screw kit M8x170 |
| 6 | F113148 | Allan screw kit M8x90 |
| 7 | F113150 | Spacer kit 72x20x9 |
| 8 | F113139 | Standard bracket |
| 9 | F126766 | Clamping kit pump unit |
| 10 | F113141 | Ventilation kit 6mm |
| 11 | F126879 | Filler cap without lock |
| - | F113843 | Filler cap with lock |
| - | F127840 | Filler cap with lock / master key |
| 12 | F114151 | Uni screw M5x14 SS |
| 13 | F170520 | Sealing kit Oilmaster |

Release date: August 2015



Release date: August 2015

1.4 Oilmaster1 and Oilmaster2 15 litre Heavy duty

| <i>Pos</i> | <i>Part nr.</i> | <i>Supply voltage</i> | <i>Capacity reservoir</i> | <i>Setting</i> |
|------------|-----------------|-----------------------|---------------------------|----------------|
| 1 | F131881 | 12Vdc | 15 Liters | 1H |
| | F131877 | 24Vdc | 15 Liters | 1H |
| | F131879 | 12Vdc | 15 Liters | 3H |
| | F131880 | 24Vdc | 15 Liters | 3H |

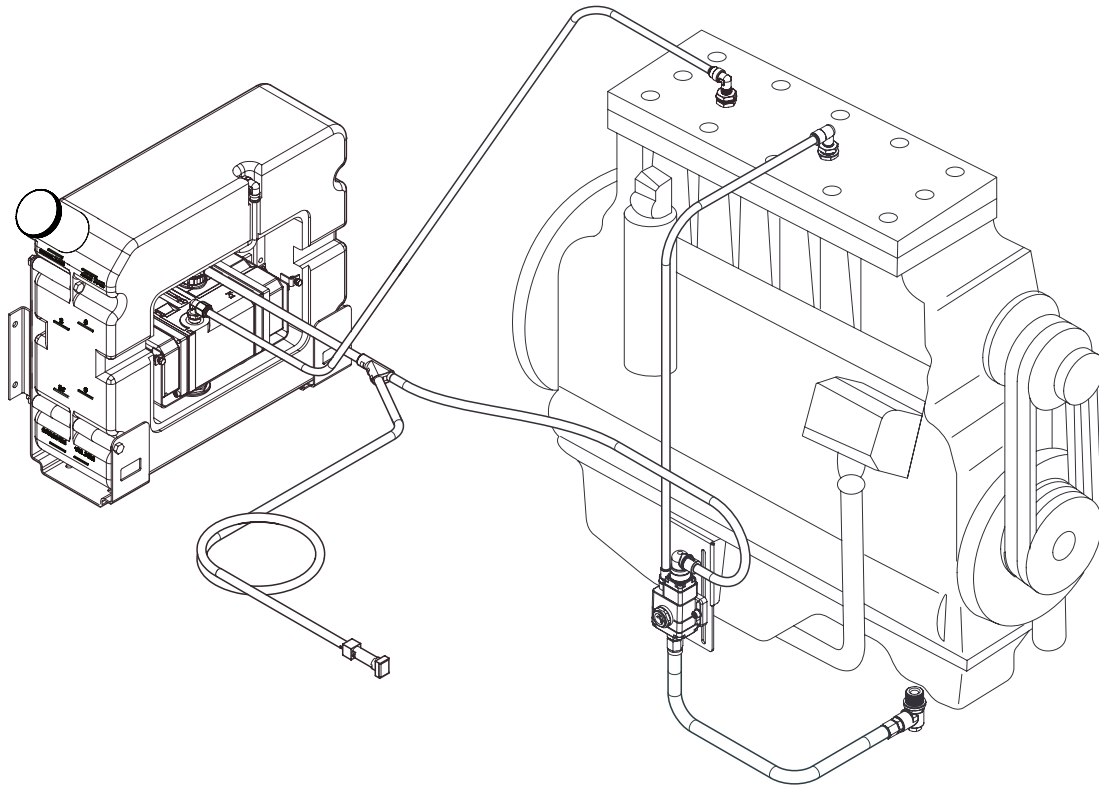
| <i>Pos</i> | <i>Part nr.</i> | <i>Description</i> |
|------------|-----------------|--|
| 2 | Oilmaster1 | Pump unit (see page 15 for the details) |
| - | F131869 | Pump unit 12V 1H (see page 17 for the details) |
| - | F131865 | Pump unit 24V 1H (see page 17 for the details) |
| - | F131867 | Pump unit 12V 3H (see page 17 for the details) |
| - | F131868 | Pump unit 24V 3H (see page 17 for the details) |
| 3 | F127543 | Oilmaster tank 15L (aluminium) |
| 4 | F127550 | Air Filter RMF ACM61R |
| 5 | F129666 | Straight Conn. G1/4"-6 |
| 6 | F127558 | Bleeder Tube |
| 7 | F127551 | Protection Cover |
| 8 | F128191 | Uni washer A5 SS |
| 9 | F112661 | Screw M5x10 SS |
| 10 | F001074 | Flat washer 5.3x10x1 BRASS |
| 11 | F117132 | Screw M5x20 |
| 12 | F126879 | Fille cap |
| 13 | F129667 | Elbow coupling R3/8" - M16x1.5 |

Release date: August 2015

Notes

Release date: August 2015

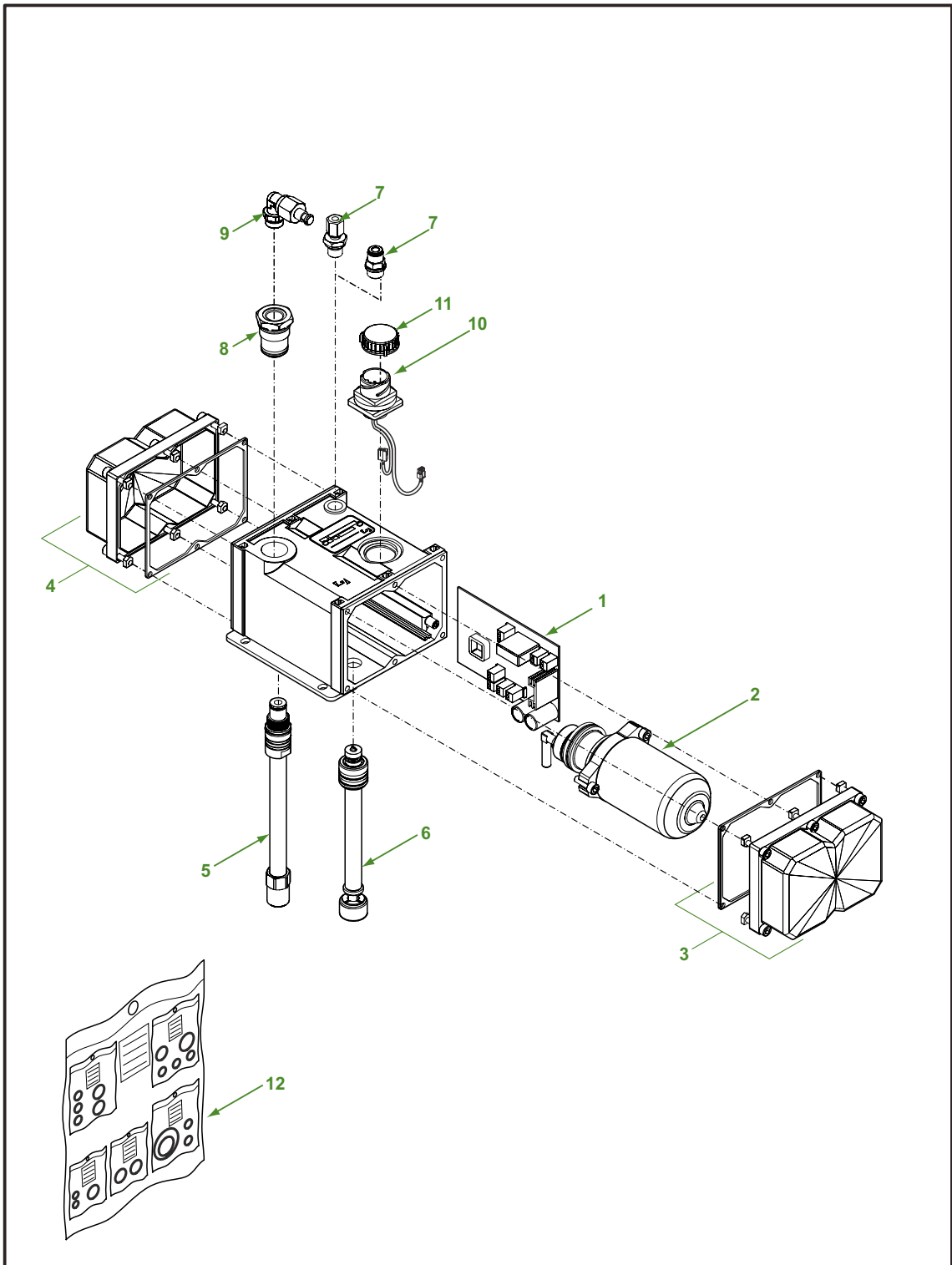
2. PUMP UNITS



Release date: August 2015



YOUR EFFICIENCY IS OUR CHALLENGE

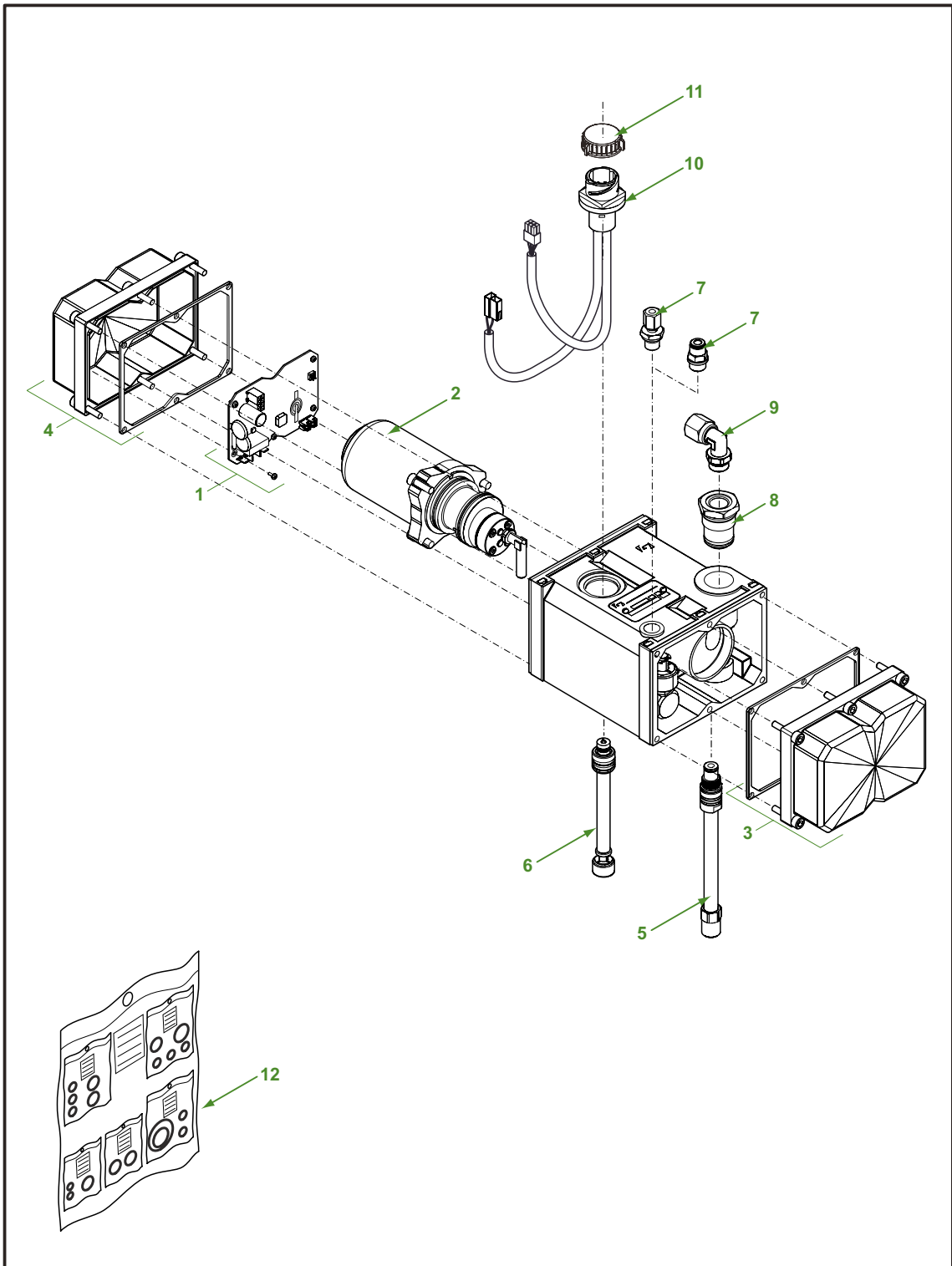


Release date: August 2015

2.1 Oilmaster1 pump unit

| <i>Pos</i> | <i>Part nr.</i> | <i>Description</i> |
|------------|-----------------|--|
| 1 | F117798 | PCA Oilmaster - 12Vdc 1H (under request) |
| - | F173054 | PCA Oilmaster - 24Vcd 1H (under request) |
| - | F173053 | PCA Oilmaster - 12Vdc 3H (under request) |
| - | F117702 | PCA Oilmaster - 24Vdc 3H (under request) |
| 2 | F116562 | Complete motor 12Vdc |
| - | F116561 | Complete motor 24Vdc |
| 3 | F126744 | Motor cover kit |
| 4 | F126745 | Calibration tank kit |
| 5 | F115838 | Suction tube/check valve 4L - 6L |
| - | F115488 | Suction tube/check valve 12L |
| - | F127546 | Suction tube/check valve 15L |
| 6 | F115836 | Complete sensor 4L - 6L |
| - | F115489 | Complete sensor 12L |
| - | F115837 | Complete sensor 15L |
| 7 | F112925 | Connector 6-1/4" G - (4L - 6L - 12L) |
| - | F129666 | Straight connector. 1/4"G-6 15L SS |
| 8 | F112668 | Complete oneway |
| 9 | F129667 | Connector 90°R3/8"M16x1.5 |
| 10 | F126743 | Kit Oilmaster cable |
| 11 | F119875 | Plug connector |
| 12 | F601207 | O-ring Repair kit |

Release date: August 2015



Release date: August 2015

2.2 Oilmaster2 pump unit

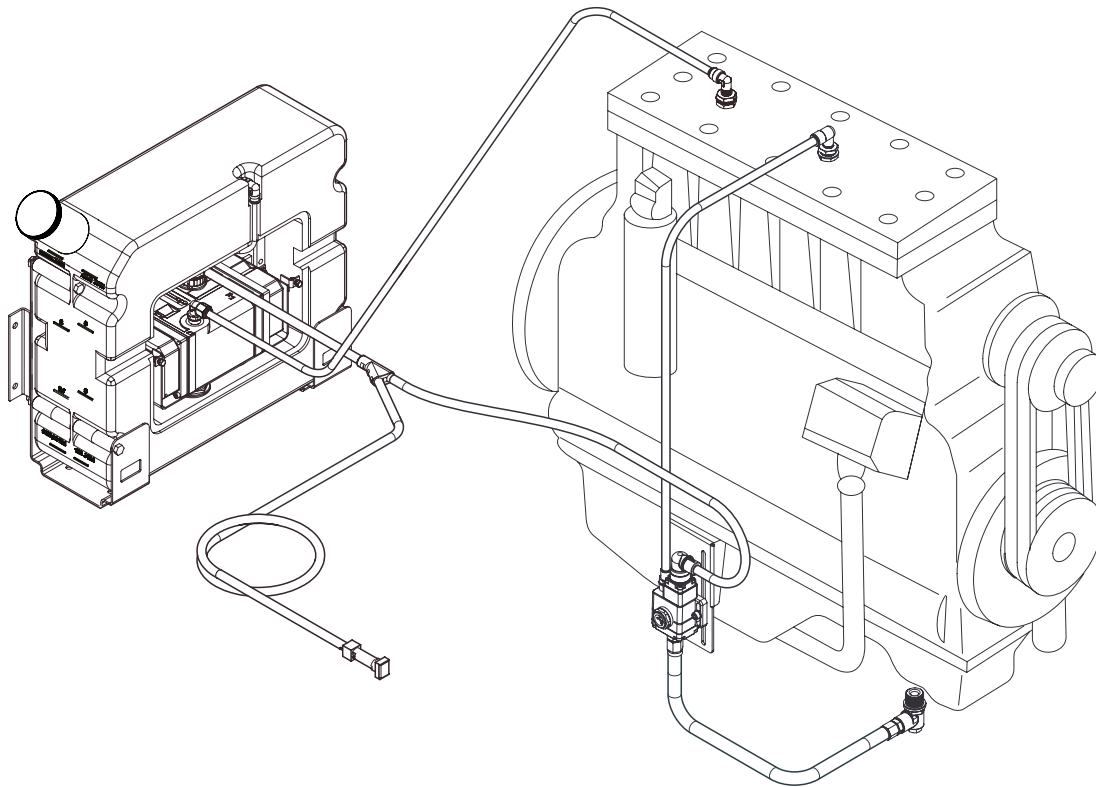
| <i>Pos</i> | <i>Part nr.</i> | <i>Description</i> |
|------------|-----------------|--------------------------------------|
| 1 | F601606 | PCA kit Oilmaster2 12v-1H AM |
| - | F601565 | PCA kit Oilmaster2 12v-3H AM |
| - | F601607 | PCA kit Oilmaster2 24v-1H AM |
| - | F601564 | PCA kit Oilmaster2 24v-3H AM |
| 2 | F131148 | Complete motor kit 12Vdc |
| - | F131554 | Complete motor kit 24Vdc |
| 3 | F126745 | Calibration tank kit |
| 4 | F601843 | Motor cover kit |
| 5 | F115838 | Suction tube/check valve 4L - 6L |
| - | F115488 | Suction tube/check valve 12L |
| - | F127546 | Suction tube/check valve 15L |
| 6 | F129064 | Complete sensor 4L - 6L |
| - | F131149 | Complete sensor 12L |
| - | F131550 | Complete sensor 15L |
| 7 | F129666 | Straight connector. 1/4"G-6 SS |
| - | F112925 | Connector 6-1/4" G - (4L - 6L - 12L) |
| 8 | F112668 | Complete oneway |
| 9 | F129667 | Connector 90°R3/8"M16x1.5 |
| 10 | F601913 | Cable harness kit |
| 11 | F119875 | Plug connector |
| 12 | F601207 | O-ring Repair kit |

Oilmaster

Notes

Release date: August 2015

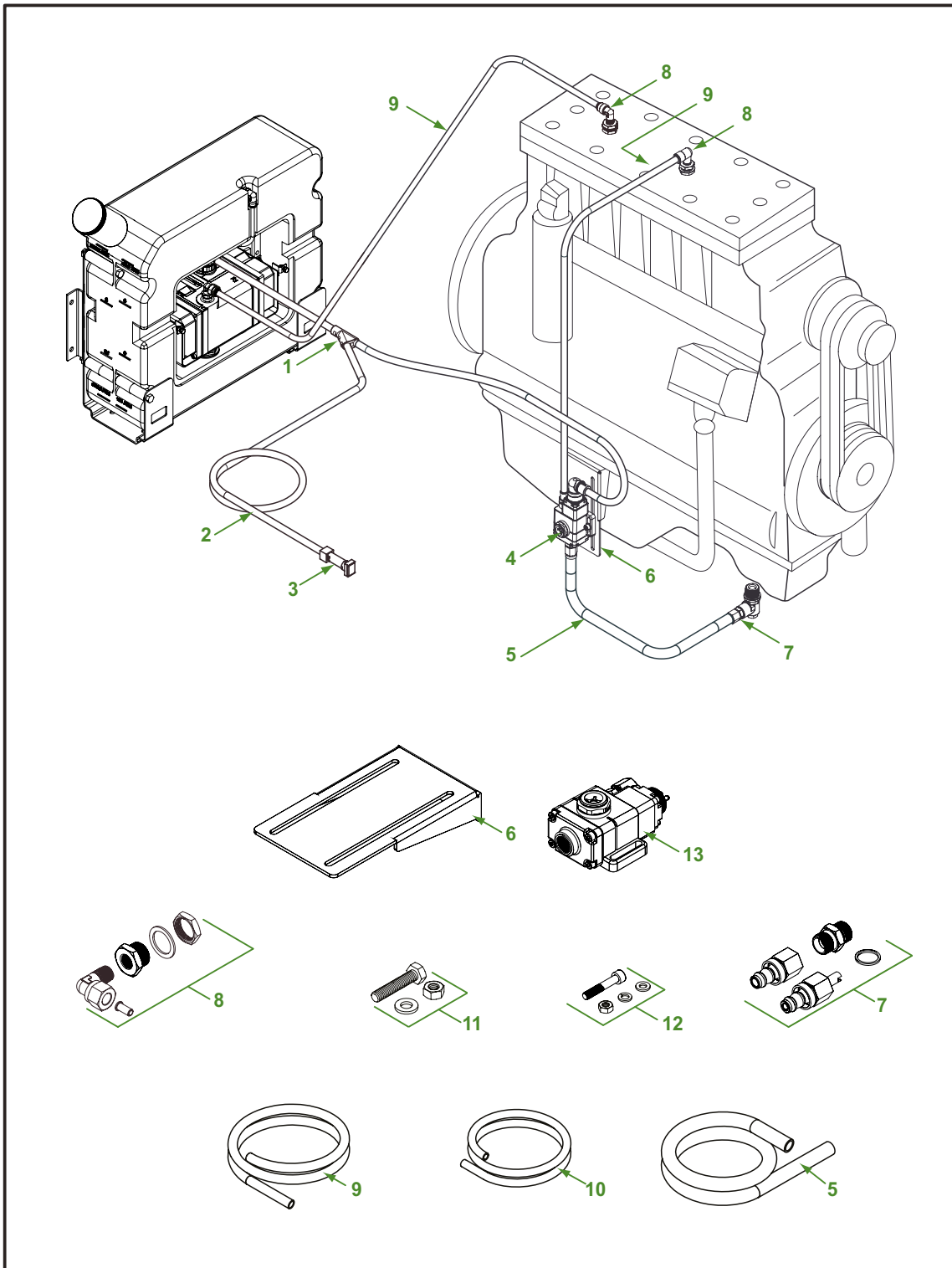
3. SPARE PARTS



Release date: August 2015



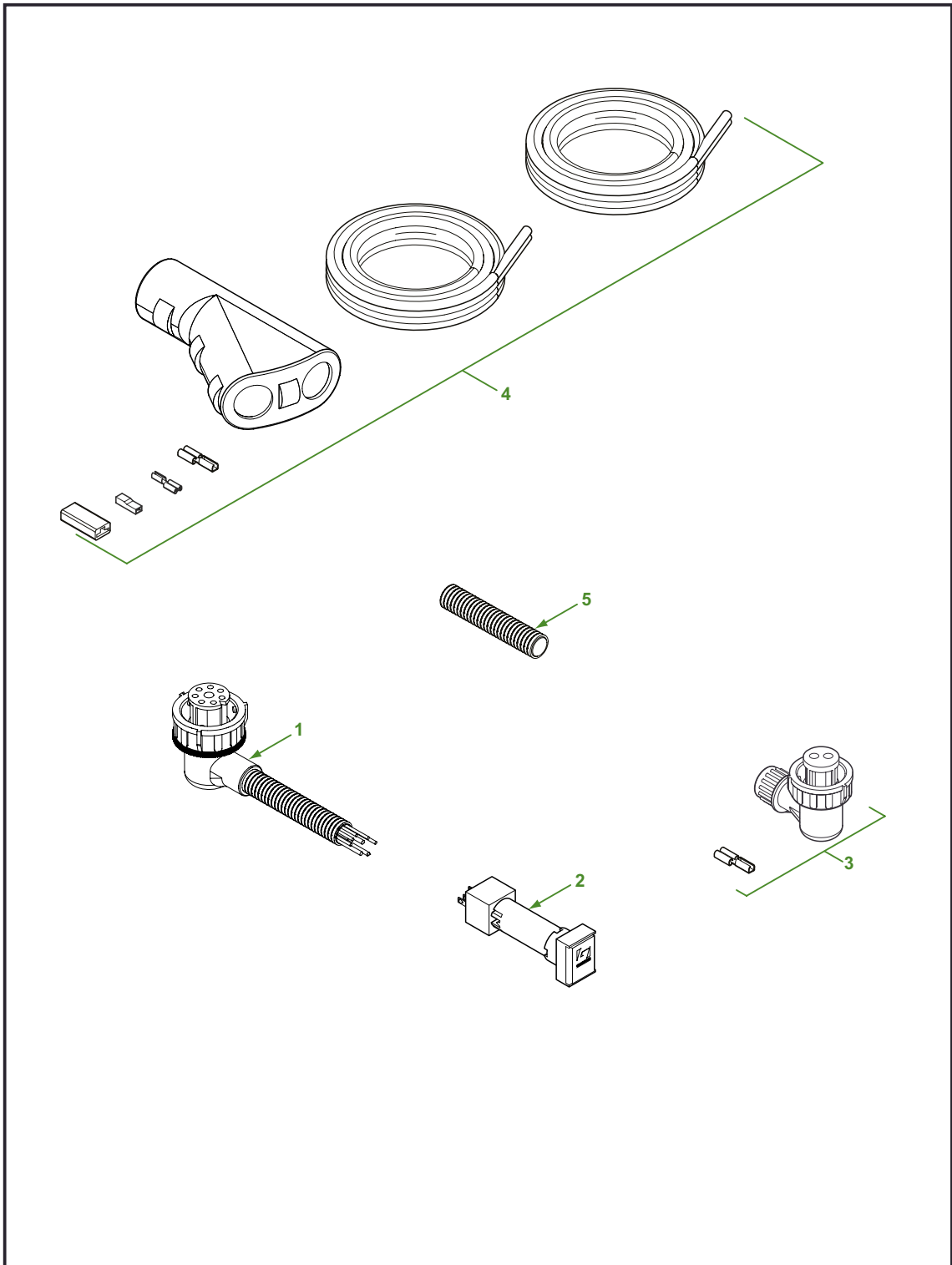
YOUR EFFICIENCY IS OUR CHALLENGE



Release date: August 2015

3.1 Oilmaster1 / Oilmaster2 connection parts

| <i>Pos</i> | <i>Part nr.</i> | <i>Description</i> |
|------------|-----------------|--|
| 1 | F112782 | Electrical material kit |
| 2 | F113135 | Complete harness (8 - core) 9 meter |
| - | F113458 | Complete cable harness (8 - core) 15 meter |
| - | F171692 | Complete cable harness (8 - core) 18 meter |
| - | F123095 | Complete cable harness (8 - core) 19.5 meter |
| - | F171693 | Complete cable harness (8 - core) 21 meter |
| - | F121848 | Complete cable harness (8 - core) 25 meter |
| 3 | F112756 | Oilmaster test switch 24Vdc |
| 4 | F126765 | Sensor Kit Oilmaster |
| 5 | F112773 | SAE tube 100 R6 3/8" (per meter) |
| 6 | F113134 | Sump sensor bracket |
| 7 | F112783 | Coupling kit sump sensor |
| 8 | F112740 | Installation cyl. head cover kit |
| 9 | F112751 | Tube ø10x2mm per (meter) |
| 10 | F114412 | Tube ø10 calibration transparant |
| 11 | F116069 | Oilmaster bracket screw kit |
| 12 | F112786 | Oilmaster sensor screw kit |
| 13 | F113162 | Oilmaster sensor |

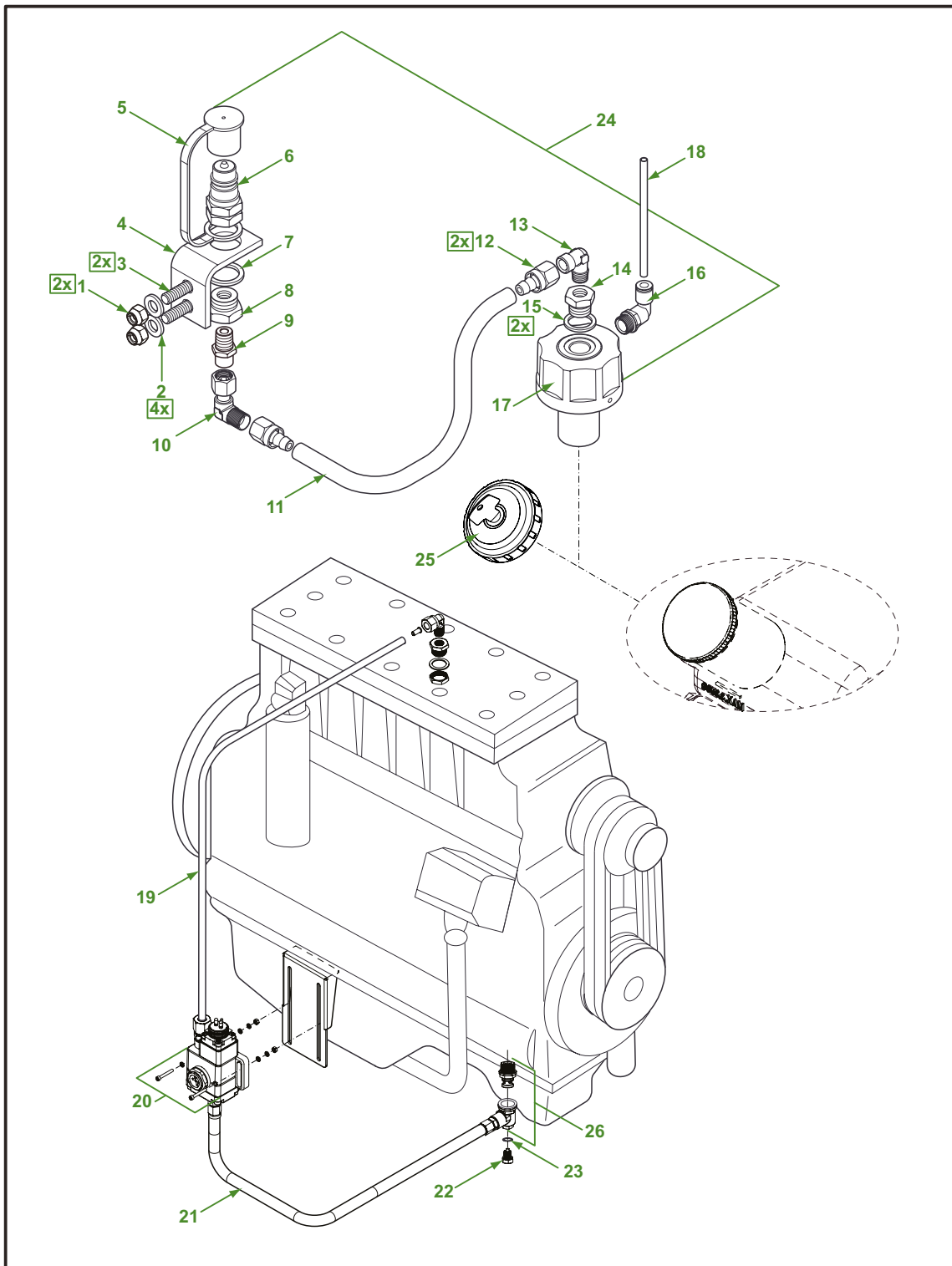


Release date: August 2015

3.2 Oilmaster1 / Oilmaster2 electrical parts

| <i>Pos</i> | <i>Part nr.</i> | <i>Description</i> |
|------------|-----------------|--|
| 1 | F113135 | Complete cable harness (8 - core) 9 meter |
| - | F113458 | Complete cable harness (8 - core) 15 meter |
| - | F171692 | Complete cable harness (8 - core) 18 meter |
| - | F123095 | Complete cable harness (8 - core) 19.5 meter |
| - | F171693 | Complete cable harness (8 - core) 21 meter |
| - | F121848 | Complete cable harness (8 - core) 25 meter |
| 2 | F112756 | Oilmaster test switch 24V |
| 3 | F113119 | Connector kit 2 - core ADR |
| 4 | F112782 | Electrical kit |
| 5 | F112685 | Corrugated tube NW10 - per meter |

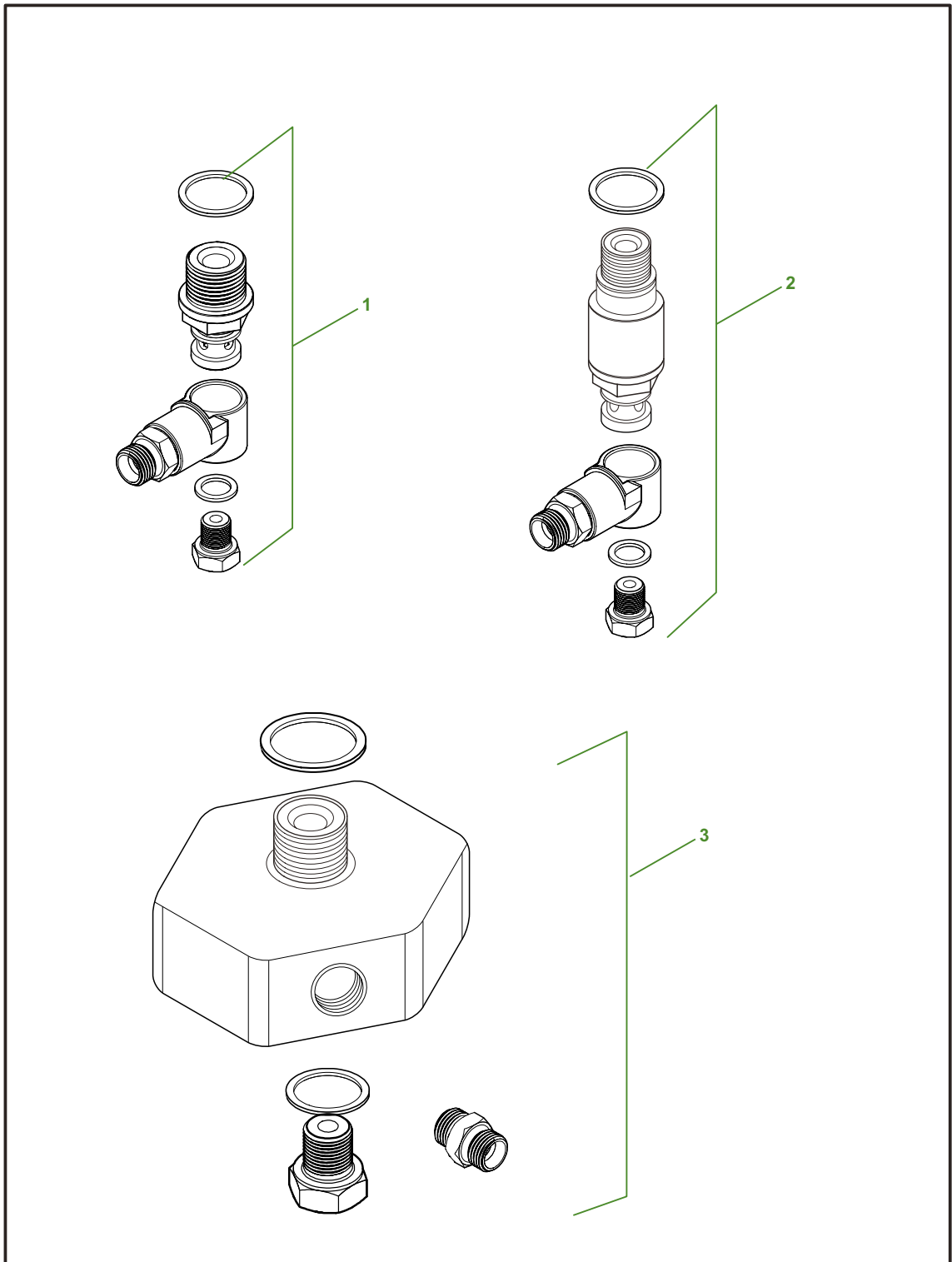
Release date: August 2015



Release date: August 2015

3.3 Oilmaster1 / Oilmaster2 optional parts

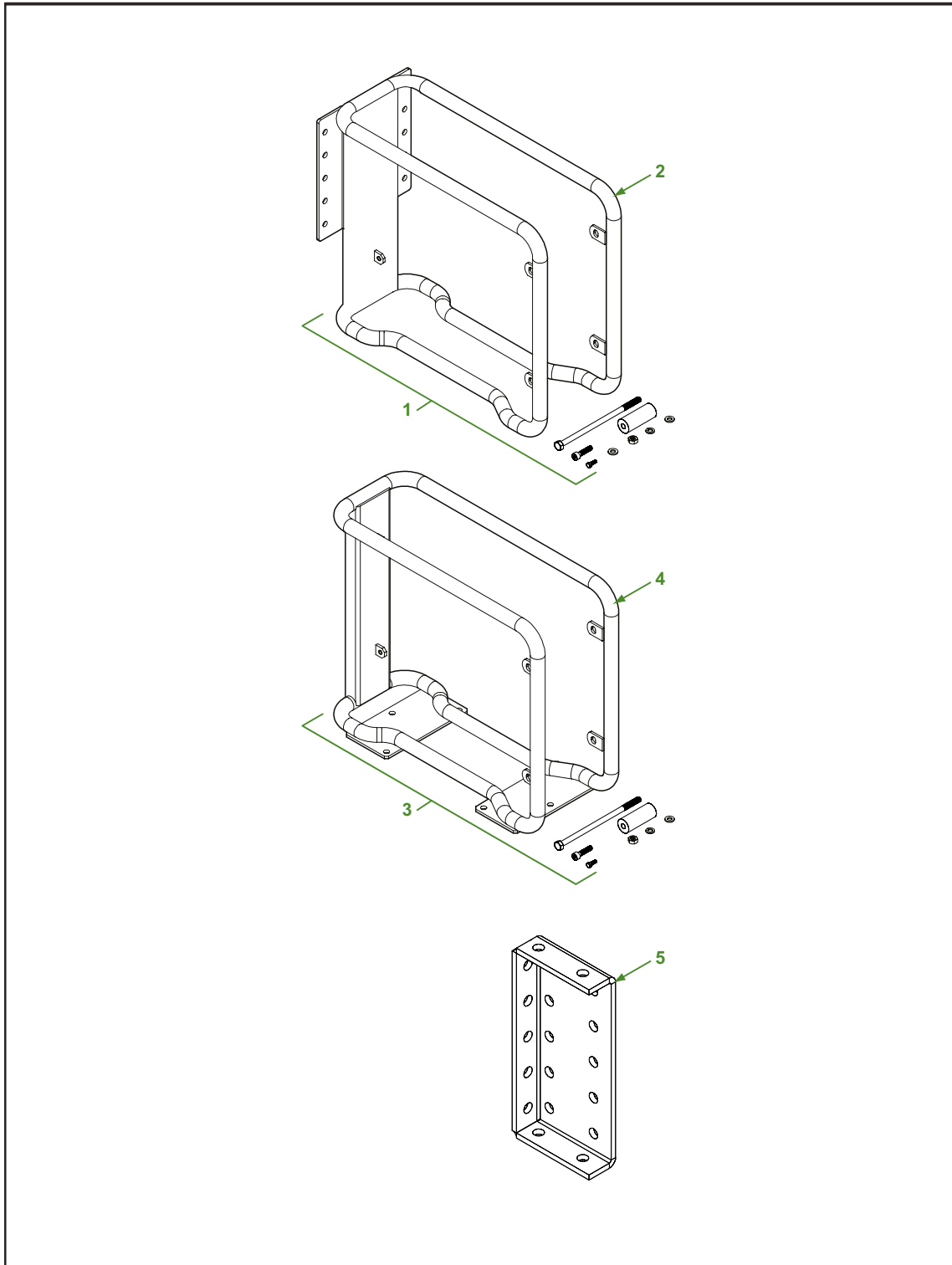
| <i>Pos</i> | <i>Part nr.</i> | <i>Description</i> |
|------------|-----------------|--|
| 1 | F113423 | Self locking nut M8 |
| 2 | F104586 | Plain washer M8 |
| 3 | F110878 | Hexagonal bolt M8x25 |
| 4 | F175829 | Bracket 90° |
| 5 | F119472 | Dust plug |
| 6 | F175185 | Quick action coupling 1/2" male |
| 7 | F111590 | Copper washer 21.5x28x2 |
| 8 | F119473 | Adapter 1/2" - 1/4" BR |
| 9 | F119626 | Hexagonal nipple 1/4" - M16x1.5 |
| 10 | F120522 | Adjustable elbow - Pø10 - ø10 ST |
| 11 | F112773 | Single hose SAE100 R6 3/8" (per meter) |
| 12 | F112726 | S.hose coupling 3/8" ø10 |
| 13 | F104988 | Elbow coupling ø10 - 1/4" ST |
| 14 | F119629 | Adapter 1/4" - 3/8" BR |
| 15 | F104436 | Sealing ring |
| 16 | F116726 | Elbow coupling G1/4"x6mm |
| 17 | F128325 | Oilmaster Filler tank kit |
| 18 | F119625 | Tube 6x500 |
| 19 | F112751 | Tube ø10x2mm (per meter) |
| 20 | F126765 | Sensor Kit Oilmaster |
| 21 | F112773 | Tube SAE 100 R6 3/8" (per meter) |
| 22 | F112738 | Drain plug M12x1 |
| 23 | F112735 | O-ring ø12x17x1.5 |
| 24 | F175827 | Oilmaster refilling kit complete |
| 25 | F126879 | Filler cap without lock |
| - | F113843 | Filler cap with lock |
| - | F127840 | Filler cap with lock / master key |
| 26 | - | Sump plug see page 27 - for the details |



Release date: August 2015

3.4 Oilmaster1 / Oilmaster2 sump plugs

| <i>Pos</i> | <i>Part nr.</i> | <i>Description</i> |
|------------|-----------------|----------------------------|
| 1 | F116373 | M14x1,5 |
| - | F113399 | M16x1,5 |
| - | F113540 | M18x1,5 |
| - | F112700 | M22x1,5 |
| - | F113539 | M22x1,5 - 55 |
| - | F112821 | M24x1,5 |
| - | F112822 | M24x1,5 - 55 |
| - | F112825 | M24x2 |
| - | F122883 | M25x1,5 - 55 |
| - | F112823 | M26x1,5 |
| - | F113538 | M26x1,5 - 55 |
| - | F113032 | 3/4" - 16 UNF |
| - | F113022 | 1/4" - BSP |
| - | F170440 | 1" - 11 1/2" NPTF - 49 |
| 2 | F214560 | M22x1,5-72 Cummins ISB 6.7 |
| - | F602148 | M22x15-53 Cummins 4 cyl |
| 3 | F602457 | M18x1.5 (environment) |
| - | F601987 | M22x1.5 (environment) |
| - | F602452 | M24x1,5 (environment) |
| - | F602453 | M24x2,0 (environment) |
| - | F602456 | M26x1,5 (environment) |



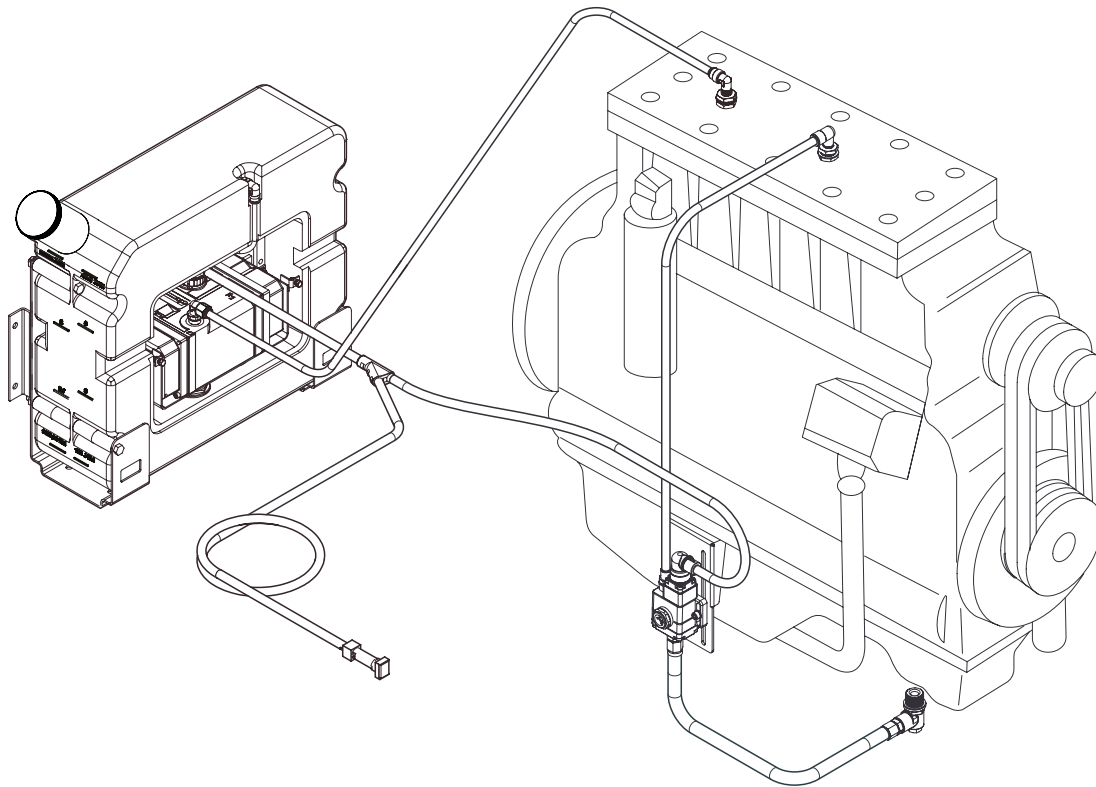
Release date: August 2015

3.5 Oilmaster1 / Oilmaster2 brackets

| <i>Pos</i> | <i>Part nr.</i> | <i>Description</i> |
|------------|-----------------|---|
| 1 | F116900 | Bracket vertical Oilmaster heavy duty kit 12L |
| 2 | F115772 | Bracket vertical Oilmaster heavy duty 12L |
| 3 | F116947 | Bracket horizontal Oilmaster heavy duty kit 12L |
| 4 | F116989 | Bracket horizontal Oilmaster heavy duty 12L |
| 5 | F130191 | Oilmaster heavy duty bracket 15L |

Release date: August 2015

4. DIAGNOSTIC TOOLS

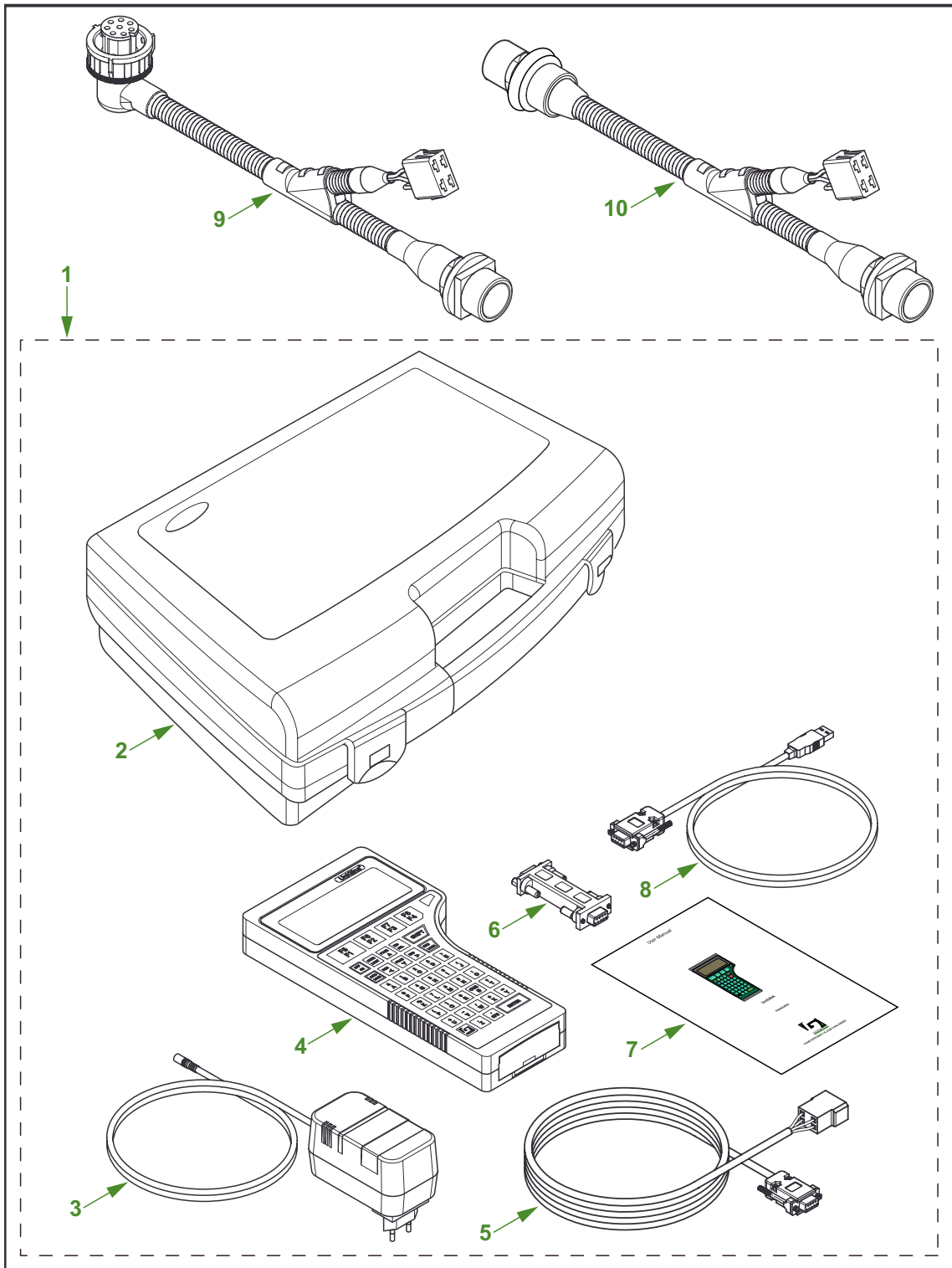


Release date: August 2015



GROENEVELD

YOUR EFFICIENCY IS OUR CHALLENGE

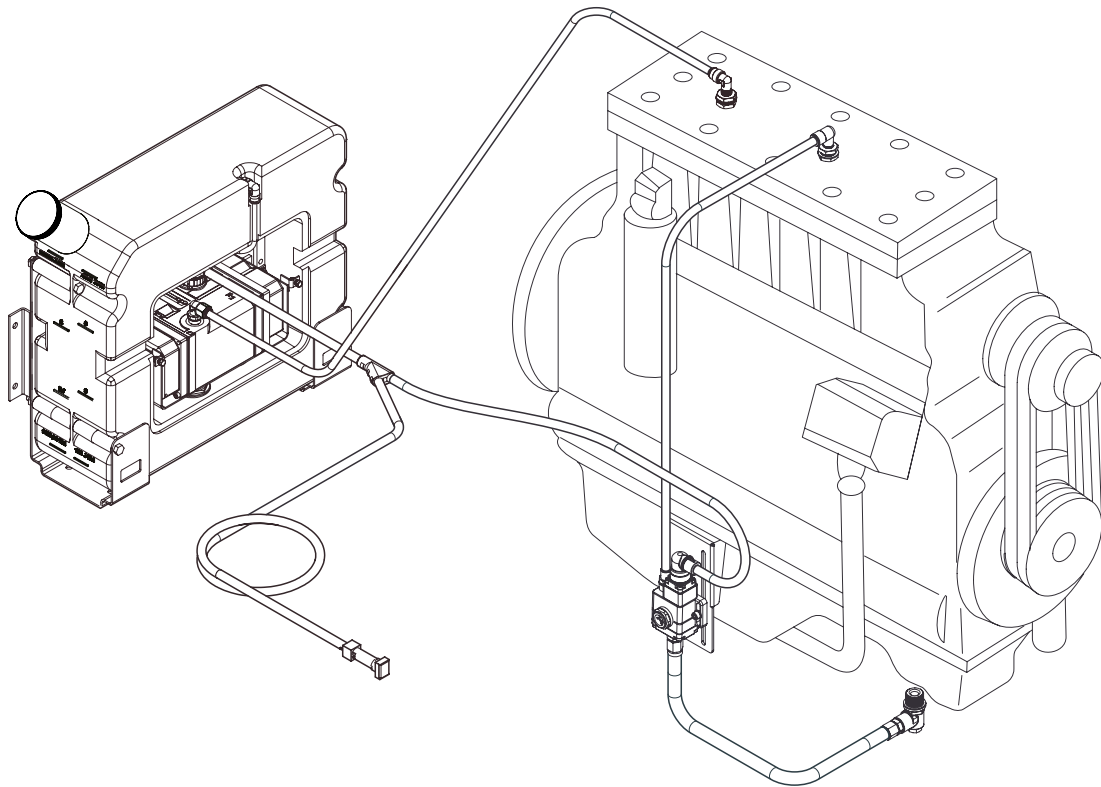


Release date: August 2015

4.1 Oilmaster1 / Oilmaster2 Unigina diagnosis kit

| <i>Pos</i> | <i>Part nr.</i> | <i>Description</i> |
|------------|-----------------|--|
| 1 | F121604 | Unigina diagnosis kit |
| 2 | F115772 | Box 320 x 280 x 120mm |
| 3 | F116947 | Power supply 100 - 240 Vac -> 3 - 12 Vdc |
| 4 | F116989 | Unigina |
| 5 | F130191 | Cable harness |
| 6 | F205694 | Converter RS232 male -> female DB9 |
| 7 | F209432 | Unigina manual |
| 8 | F203450 | Cable harness USB A -> serial 9-pin |
| 9 | F113110 | Unigina Oilmaster AM adapter cable |
| | F125982 | Unigina Oilmaster External command adapter cable |
| 10 | F125983 | Unigina Oilmaster Mercedes Benz adapter cable |
| 11 | F212314 | Validation code Oilmaster1/2 |

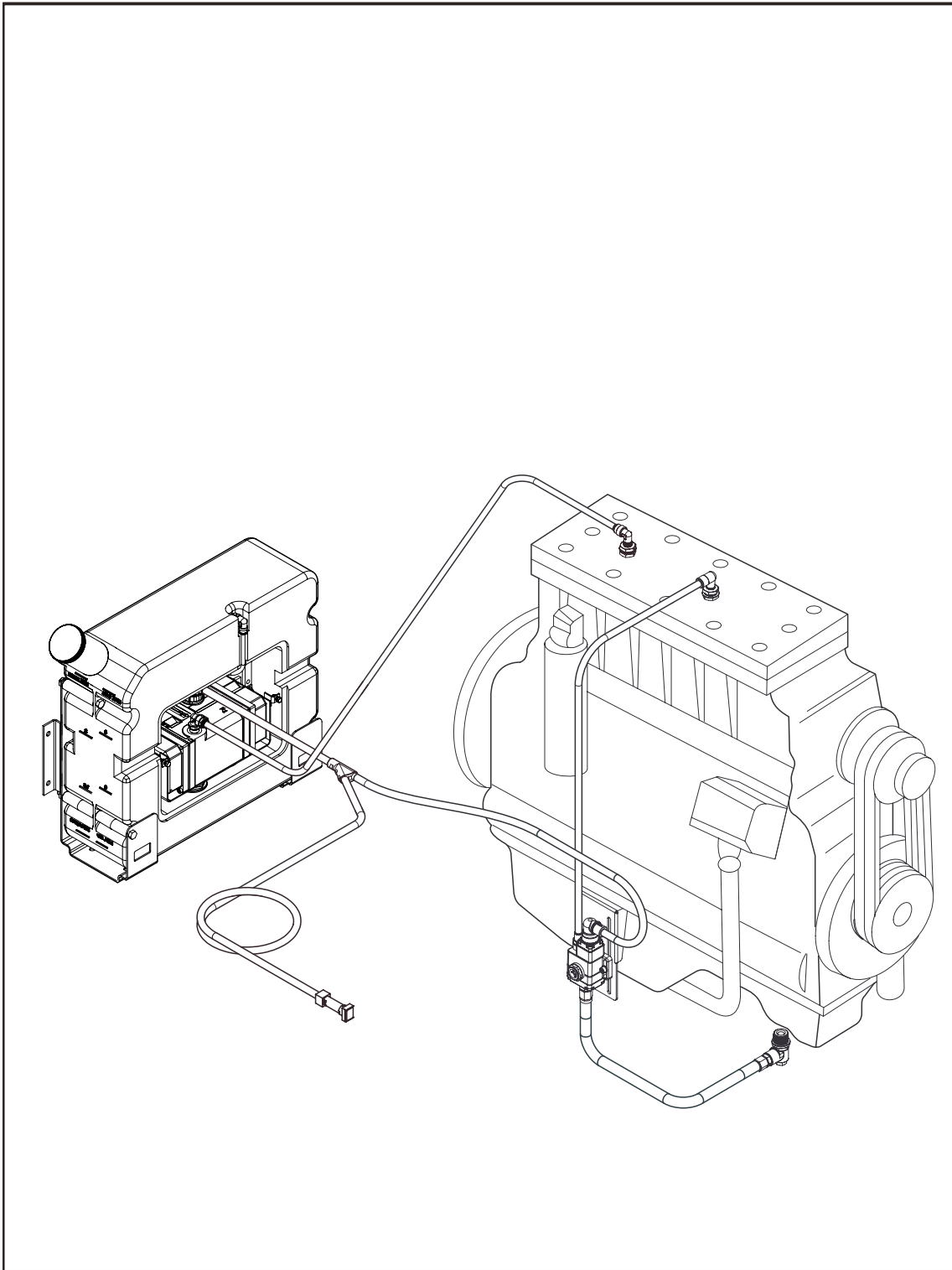
5. COMPLETE KITS



Release date: August 2015



YOUR EFFICIENCY IS OUR CHALLENGE



Release date: August 2015

5.1 Oilmaster2 complete kits

| <i>Part nr.</i> | <i>Description</i> |
|-----------------|--|
| F114834 | 4 litre 12 Volt 3 hours Compact kit |
| F114833 | 4 litre 24 Volt 3 hours Compact kit |
| | |
| F125859 | 6 Litre 12 Volt 1 hour Kit |
| F173079 | 6 Litre 24 Volt 1 hour Kit |
| F114758 | 6 Litre 12 Volt 3 hours Kit |
| F114757 | 6 Litre 24 Volt 3 hours Kit |
| | |
| F173055 | 12 Litre 24 Volt 1 hour Kit |
| F113188 | 12 Litre 12 Volt 3 hour Kit |
| F112785 | 12 Litre 24 Volt 3 hour Kit |
| | |
| F130209 | 15 Litre 24 Volt 1 hour Heavy duty Kit |



www.groeneveld-group.com